

Orona 3G

1020

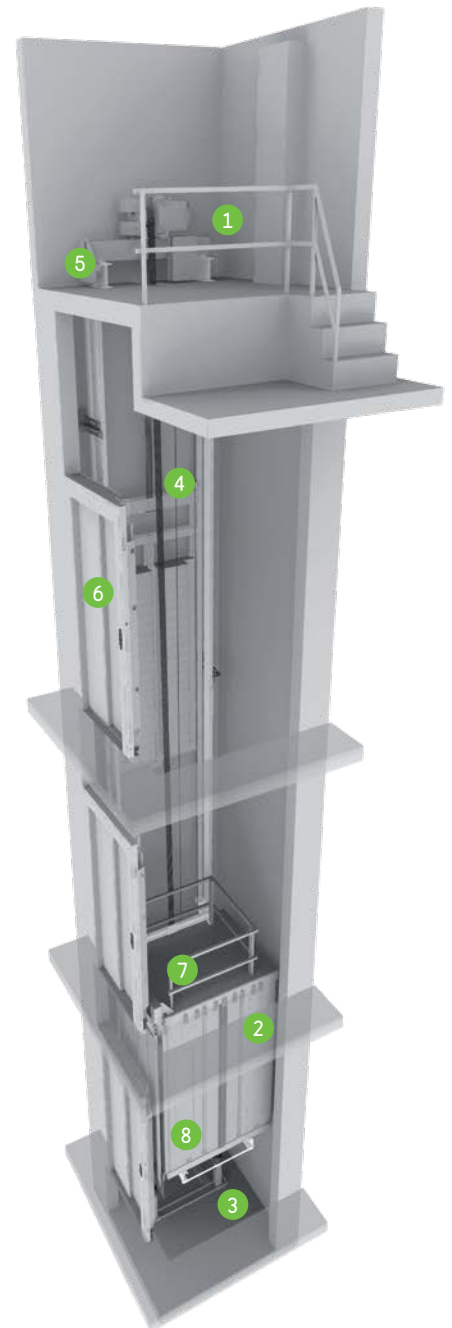
## Machine-room above electrical gearless solutions

With the latest direct drive (Gearless) technology.  
The base solution with machine-room and latest technology.

### General specifications

Load	320 - 450 - 630 kg
Capacity	4 - 6 - 8 persons
Speed	1 m/s
Maximum travel	45 m
Maximum floors served	16 floors
Entrances	1 front / 2 open through / 2 front & side
Drive system	Direct gearless
Controller	ARCA II controller, low energy microprocessor
Door types	Automatic side-opening / Automatic central-opening
Clear door opening	700 / 800 / 900
Door height	2,000 / 2,100
Car dimensions	Standard car dimensions
Internal car height	2,100 / 2,200
Aesthetic solutions	DR1 / DR2 / DR3 / DR4 / DR5 / DR6 / DR7 / DR8 DS1 / DS2 / DS3 / DS4 / DS5 / Orona 3G Domo Plus

Standard Optional



#### 1 MACHINE-ROOM

A traditional solution simplifying lift maintenance.



#### 2 OPTIMISED PASSENGER UNIT

Saves space, reduces weight, improves safety, and improves the installation process.



#### 3 ACCESSIBLE SPACE BELOW THE PIT

Adapts the lift to suit buildings which have an accessible space below the pit (optional).



#### 4 TRACTION ROPES

Orona small diameter ropes replace traditional steel ropes. As a result of their lighter weight, longer lifespan and greater flexibility, it is possible to use a more compact, efficient and eco-friendly gearless machine.



#### 5 DRIVE

Compact, quiet, gearless, energy efficient, speed regulated (VVVF) permanent magnet electric motor.



#### 6 DOORS

Compact permanent magnet motor for fast, accurate and quiet door operation giving the most advanced performance. Advanced door opening and full height infra red door protection edges.



#### 7 AUTOMATIC RESCUE SYSTEM

With floor level indication to ensure fast, efficient and safe evacuation of passengers in the event of an emergency. As an option, the system can incorporate a fully-automatic rescue device to evacuate passengers in the event of a power failure.



#### 8 TWO-WAY COMMUNICATIONS

Between the lift and the emergency 24-hour Service Call Centre according to EN 81-28.



## Standard dimensions

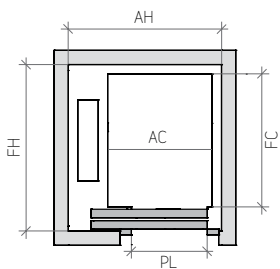
Load / Capacity		Car			Lift shaft *							
Persons	Q Load	AC Width	FC Depth	PL Clear opening	Entrances		Side-opening doors		Central-opening doors		HF Pit	HUP Last Floor
					Accessibility	No. of entrances	AH <sup>1</sup> Width	FH <sup>2</sup> Depth	AH Width	FH <sup>3</sup> Depth		
4	320 kg	825	1100	700		1	1325	1350	1600	1300	1000 (850) <sup>4</sup>	3400
						2 x 180 <sup>0</sup>		1500		1400		
						2 x 90 <sup>0</sup>	1450	1350				
6	450 kg	1000	1250	800	♿	1	1500	1500	1800	1450	1000 (850) <sup>4</sup>	3400 (3000) <sup>5</sup>
						2 x 180 <sup>0</sup>		1650		1550		3400
						* <sup>6</sup>	2 x 90 <sup>0</sup>	1625	1500			
8	630 kg	1100	1400	900	♿	1	1600	1650	2000	1600	1000 (850) <sup>4</sup>	3400 (3000) <sup>5</sup>
						2 x 180 <sup>0</sup>		1800		1700		
						2 x 90 <sup>0</sup>	1725	1650				
	1200	1250	900	* <sup>6</sup>	1	1700	1500	2000	1450	1000 (850) <sup>4</sup>	3400	
					2 x 180 <sup>0</sup>		1650		1550			
					2 x 90 <sup>0</sup>	1825	1575					

- 1 Accessible space below the pit (counterweight with safety gear) add 50 mm to AH
- 2 Shaft depth with door tracks projecting 60 mm on the landing
- 3 Shaft depth with door tracks projecting 40 mm on the landing
- 4 HF reduced pit optional 850 mm

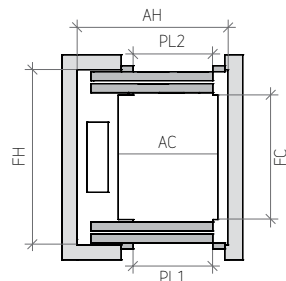
- 5 Minimum HUP for internal car height (HC) of 2100 mm (HUP = HC + 1,300)  
HUP reduced headroom optional only for 6 and 8 persons (HUP = HC + 900)
  - 6 Adapted for disabled people, according to European standard EN 81-70
- \* Minimum plumb measurements

## Layout

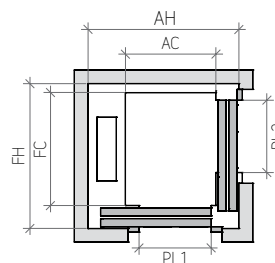
1 ENTRANCE



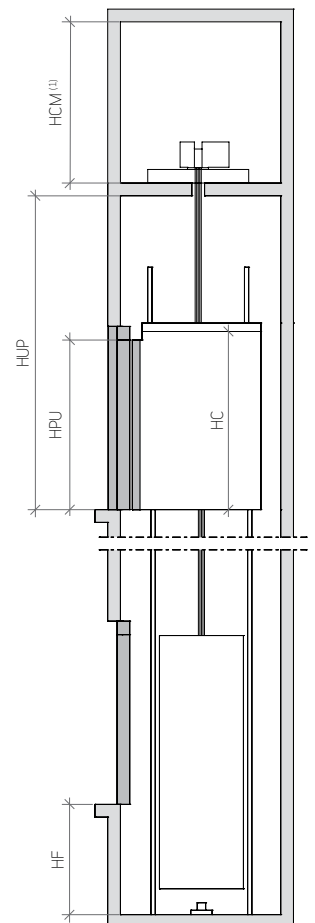
2 ENTRANCES (OPEN THROUGH)



2 ENTRANCES (FRONT & SIDE)



VERTICAL SECTION



(1) HCM - minimum 2,000 mm

WIDE-FRAMED DOOR DETAIL

